

# GATES and KENNELS

[ALUMINUM SLIDE GATES](#)

[BARRIER GATES](#)

[CANTILEVER GATES](#)

[CANTILEVER GATES W/ BARBWIRE](#)

[KENNELS - Fabricated and Frame Only](#)

[PANIC BAR GATES](#)

## **Single Galvanized Gates**

[RESIDENTIAL SWING GATES](#)

[COMMERCIAL SWING GATES](#)

[COMMERCIAL SWING GATES — W/ BARBWIRE](#)

[INDUSTRIAL SWING GATES](#)

[INDUSTRIAL SWING GATES — W/ BARBWIRE](#)

## **Double Drive Galvanized Gates**

[RESIDENTIAL DOUBLE DRIVE GATES](#)

[COMMERCIAL DOUBLE DRIVE GATES](#)

[COMMERCIAL DOUBLE DRIVE GATES — W/ BARBWIRE](#)

[INDUSTRIAL DOUBLE DRIVE GATES](#)

[INDUSTRIAL DOUBLE DRIVE GATES — W/ BARBWIRE](#)

## **Single Vinyl Gates**

[RESIDENTIAL SWING GATES](#)

[COMMERCIAL SWING GATES](#)

[COMMERCIAL SWING GATES — W/ BARBWIRE](#)

[INDUSTRIAL SWING GATES](#)

[INDUSTRIAL SWING GATES — W/ BARBWIRE](#)

## **Double Drive Vinyl Gates**

[RESIDENTIAL DOUBLE DRIVE GATES](#)

[COMMERCIAL DOUBLE DRIVE GATES](#)

[COMMERCIAL DOUBLE DRIVE GATES — W/ BARBWIRE](#)

[INDUSTRIAL DOUBLE DRIVE GATES](#)

[INDUSTRIAL DOUBLE DRIVE GATES — W/ BARBWIRE](#)

[TEMPORARY FENCE PANELS](#)

Specialty Items Section

## RESIDENTIAL GATES - FABRICATED

Gates are welded with 1-3/8" Tubing (.065). Fabricated gates have 2-1/4" x 11-1/2 gauge pre-galvanized fabric and flat bands. Six foot high gates have horizontal braces. When ordering gates, tell us the opening size. We will make the allowance for the hinges and latch.

### SINGLE GATES

	OPENING	3' HIGH	3' 6" HIGH	4' HIGH	5' HIGH	6' HIGH
GR-3#	3'	<b>79.03</b>	<b>81.27</b>	<b>84.73</b>	<b>90.78</b>	<b>106.90</b>
GR-42#	3'6"	<b>81.34</b>	<b>83.51</b>	<b>87.09</b>	<b>93.42</b>	<b>108.71</b>
GR-4#	4'	<b>84.87</b>	<b>85.74</b>	<b>89.46</b>	<b>96.07</b>	<b>114.02</b>
GR-5#	5'	<b>87.40</b>	<b>90.19</b>	<b>94.19</b>	<b>101.35</b>	<b>121.13</b>
GR-6#	6'	<b>91.59</b>	<b>94.65</b>	<b>98.92</b>	<b>106.64</b>	<b>128.23</b>

### FRAME ONLY

	OPENING	3' HIGH	3'6" HIGH	4' HIGH	5' HIGH	6' HIGH
GRF-3#	3'	<b>53.59</b>	<b>54.78</b>	<b>55.99</b>	<b>58.37</b>	<b>70.76</b>
GRF-42#	3'6"	<b>54.78</b>	<b>55.99</b>	<b>57.18</b>	<b>59.56</b>	<b>71.96</b>
GRF-4#	4'	<b>55.99</b>	<b>57.18</b>	<b>58.37</b>	<b>60.76</b>	<b>74.34</b>
GRF-5#	5'	<b>58.37</b>	<b>59.56</b>	<b>60.76</b>	<b>63.14</b>	<b>77.91</b>
GRF-6#	6'	<b>60.76</b>	<b>61.94</b>	<b>63.14</b>	<b>65.53</b>	<b>81.49</b>

### DOUBLE DRIVE

	OPENING	3' HIGH	3'6" HIGH	4' HIGH	5' HIGH	6' HIGH
GR-6#-DD	6'	<b>158.06</b>	<b>162.55</b>	<b>169.44</b>	<b>181.54</b>	<b>213.81</b>
GR-7#-DD	7"	<b>162.68</b>	<b>167.02</b>	<b>174.17</b>	<b>186.84</b>	<b>217.43</b>
GR-8#-DD	8'	<b>169.74</b>	<b>171.46</b>	<b>178.91</b>	<b>192.14</b>	<b>228.05</b>
GR-10#-DD	10'	<b>174.82</b>	<b>180.38</b>	<b>188.38</b>	<b>202.69</b>	<b>242.24</b>
GR-12#-DD	12'	<b>183.16</b>	<b>189.31</b>	<b>197.85</b>	<b>213.28</b>	<b>256.45</b>

### DOUBLE DRIVE - Frame Only

	OPENING	3' HIGH	3'6" HIGH	4' HIGH	5' HIGH	6' HIGH
GRF-6#-DD	6'	<b>107.20</b>	<b>109.56</b>	<b>111.96</b>	<b>116.72</b>	<b>141.51</b>
GRF-7#-DD	7"	<b>109.56</b>	<b>111.96</b>	<b>114.35</b>	<b>119.11</b>	<b>143.91</b>
GRF-8#-DD	8'	<b>111.96</b>	<b>114.35</b>	<b>116.72</b>	<b>121.51</b>	<b>148.67</b>
GRF-10#-DD	10'	<b>116.72</b>	<b>119.11</b>	<b>121.51</b>	<b>126.27</b>	<b>155.82</b>
GRF-12#-DD	12'	<b>121.51</b>	<b>123.87</b>	<b>126.27</b>	<b>131.05</b>	<b>162.97</b>

Replace ""#"" with correct height. Chose from (3, 42, 4 , 5, 6)

## COMMERCIAL SWING GATES — FABRICATED

Pipe — 1-5/8" WT-20

Fabric — 9 Gauge Pre-Galvanized

Fittings — Beveled Bands

	OPENING	4' HIGH	5' HIGH	6' HIGH	7' HIGH	8' HIGH	10' HIGH
GC-3#	3'	<b>155.51</b>	<b>166.99</b>	<b>202.55</b>	<b>214.21</b>	<b>233.94</b>	<b>262.82</b>
GC-42#	3'6"	<b>160.27</b>	<b>172.24</b>	<b>206.95</b>	<b>220.54</b>	<b>240.80</b>	<b>270.68</b>
GC-4#	4'	<b>165.02</b>	<b>177.49</b>	<b>216.79</b>	<b>229.45</b>	<b>250.19</b>	<b>281.99</b>
GC-5#	5'	<b>178.58</b>	<b>192.05</b>	<b>255.46</b>	<b>269.12</b>	<b>282.74</b>	<b>333.69</b>
GC-6#	6'	<b>188.08</b>	<b>202.57</b>	<b>269.70</b>	<b>284.37</b>	<b>323.41</b>	<b>376.36</b>
GC-7#	7'	<b>208.88</b>	<b>224.38</b>	<b>298.41</b>	<b>322.22</b>	<b>370.41</b>	<b>433.52</b>
GC-8#	8'	<b>253.64</b>	<b>272.87</b>	<b>353.39</b>	<b>389.09</b>	<b>416.61</b>	<b>462.78</b>
GC-9#	9'	<b>259.07</b>	<b>275.25</b>	<b>379.85</b>	<b>404.36</b>	<b>432.88</b>	<b>471.65</b>
GC-10#	10'	<b>268.56</b>	<b>285.75</b>	<b>398.16</b>	<b>435.79</b>	<b>465.40</b>	<b>509.73</b>
GC-11#	11'	<b>274.74</b>	<b>297.00</b>	<b>413.15</b>	<b>451.86</b>	<b>490.55</b>	<b>536.89</b>
GC-12#	12'	<b>291.63</b>	<b>314.89</b>	<b>426.65</b>	<b>466.38</b>	<b>514.19</b>	<b>651.03</b>

### **FRAME ONLY**

Pipe 1-5/8" WT-20.

	OPENING	4' HIGH	5' HIGH	6' HIGH	7' HIGH	8' HIGH	10' HIGH
GCF-3#	3'	<b>100.35</b>	<b>105.63</b>	<b>138.31</b>	<b>143.60</b>	<b>157.04</b>	<b>167.61</b>
GCF-42#	3'6"	<b>103.00</b>	<b>108.28</b>	<b>140.95</b>	<b>146.24</b>	<b>159.67</b>	<b>170.25</b>
GCF-4#	4'	<b>105.63</b>	<b>110.92</b>	<b>146.24</b>	<b>159.67</b>	<b>164.96</b>	<b>179.70</b>
GCF-5#	5'	<b>110.92</b>	<b>116.21</b>	<b>154.17</b>	<b>159.47</b>	<b>172.90</b>	<b>188.99</b>
GCF-6#	6'	<b>116.21</b>	<b>129.65</b>	<b>162.12</b>	<b>175.55</b>	<b>180.84</b>	<b>226.00</b>
GCF-7#	7'	<b>140.95</b>	<b>146.24</b>	<b>208.94</b>	<b>214.24</b>	<b>227.65</b>	<b>246.39</b>
GCF-8#	8'	<b>164.96</b>	<b>172.90</b>	<b>216.47</b>	<b>232.55</b>	<b>264.89</b>	<b>280.77</b>
GCF-9#	9'	<b>170.25</b>	<b>178.19</b>	<b>240.69</b>	<b>248.61</b>	<b>280.98</b>	<b>288.71</b>
GCF-10#	10'	<b>183.68</b>	<b>191.63</b>	<b>248.61</b>	<b>272.83</b>	<b>288.92</b>	<b>329.20</b>
GCF-11#	11'	<b>188.99</b>	<b>196.91</b>	<b>260.62</b>	<b>280.77</b>	<b>296.84</b>	<b>333.17</b>
GCF-12#	12'	<b>194.26</b>	<b>202.20</b>	<b>264.50</b>	<b>288.71</b>	<b>304.78</b>	<b>336.92</b>

Replace ""#"" with correct height. Chose from (4, 5, 6, 7, 8, 10)

## COMMERCIAL SWING GATES — FABRICATED w/BARBWIRE

Pipe — 1-5/8" WT-20

Fabric — 9 Gauge Pre-Galvanized

Fittings — Beveled Bands

	OPENING	4' HIGH	5' HIGH	6' HIGH	7' HIGH	8' HIGH	10' HIGH
GC-3#+1	3'	<b>180.00</b>	<b>191.66</b>	<b>227.02</b>	<b>238.70</b>	<b>258.43</b>	<b>292.96</b>
GC-42#+1	3'6"	<b>185.08</b>	<b>197.34</b>	<b>229.14</b>	<b>245.36</b>	<b>265.62</b>	<b>295.51</b>
GC-4#+1	4'	<b>190.18</b>	<b>202.93</b>	<b>241.95</b>	<b>254.62</b>	<b>275.37</b>	<b>307.16</b>
GC-5#+1	5'	<b>204.41</b>	<b>218.26</b>	<b>281.29</b>	<b>294.97</b>	<b>308.59</b>	<b>359.52</b>
GC-6#+1	6'	<b>214.59</b>	<b>229.53</b>	<b>296.21</b>	<b>310.88</b>	<b>344.64</b>	<b>402.88</b>
GC-7#+1	7'	<b>236.07</b>	<b>252.13</b>	<b>325.61</b>	<b>349.41</b>	<b>397.61</b>	<b>460.73</b>
GC-8#+1	8'	<b>281.88</b>	<b>301.76</b>	<b>381.63</b>	<b>417.34</b>	<b>444.86</b>	<b>491.02</b>
GC-9#+1	9'	<b>297.02</b>	<b>318.01</b>	<b>385.25</b>	<b>446.39</b>	<b>474.91</b>	<b>513.67</b>
GC-10#+1	10'	<b>304.98</b>	<b>327.04</b>	<b>438.63</b>	<b>475.90</b>	<b>505.88</b>	<b>550.20</b>
GC-11#+1	11'	<b>315.14</b>	<b>338.31</b>	<b>453.56</b>	<b>492.25</b>	<b>530.95</b>	<b>577.28</b>
GC-12#+1	12'	<b>333.45</b>	<b>357.71</b>	<b>468.48</b>	<b>508.20</b>	<b>556.02</b>	<b>692.86</b>

### FRAME ONLY - For BARBWIRE

Pipe 1-5/8" WT-20.

	OPENING	4' HIGH	5' HIGH	6' HIGH	7' HIGH	8' HIGH	10' HIGH
GCF-3#+1	3'	<b>117.84</b>	<b>123.13</b>	<b>155.81</b>	<b>161.10</b>	<b>174.52</b>	<b>185.11</b>
GCF-42#+1	3'6"	<b>120.48</b>	<b>125.78</b>	<b>158.45</b>	<b>163.73</b>	<b>177.17</b>	<b>187.75</b>
GCF-4#+1	4'	<b>123.13</b>	<b>128.42</b>	<b>163.73</b>	<b>177.17</b>	<b>182.46</b>	<b>197.20</b>
GCF-5#+1	5'	<b>128.42</b>	<b>133.71</b>	<b>171.68</b>	<b>176.97</b>	<b>190.40</b>	<b>206.47</b>
GCF-6#+1	6'	<b>133.71</b>	<b>147.15</b>	<b>179.62</b>	<b>193.05</b>	<b>198.32</b>	<b>243.52</b>
GCF-7#+1	7'	<b>158.45</b>	<b>163.73</b>	<b>226.45</b>	<b>231.73</b>	<b>245.15</b>	<b>263.89</b>
GCF-8#+1	8'	<b>182.46</b>	<b>190.40</b>	<b>233.97</b>	<b>250.04</b>	<b>282.39</b>	<b>298.27</b>
GCF-9#+1	9'	<b>200.13</b>	<b>208.05</b>	<b>270.55</b>	<b>278.49</b>	<b>286.43</b>	<b>318.57</b>
GCF-10#+1	10'	<b>213.56</b>	<b>221.48</b>	<b>278.49</b>	<b>302.71</b>	<b>318.78</b>	<b>359.07</b>
GCF-11#+1	11'	<b>218.83</b>	<b>226.77</b>	<b>286.43</b>	<b>310.63</b>	<b>326.72</b>	<b>383.28</b>
GCF-12#+1	12'	<b>224.13</b>	<b>232.08</b>	<b>294.35</b>	<b>318.57</b>	<b>334.66</b>	<b>366.80</b>

(Barbwire and fittings are not included with Frame Only.)

Replace ""#"" with correct height. Chose from (4, 5, 6, 7, 8, 10)

## COMMERCIAL DOUBLE DRIVE GATES—FABRICATED

Pipe — 1-5/8" WT-20

*Ordering Example*

Fabric — 9 Gauge Pre-Galvanized

\*\*\* *Order (1) 24' Double Drive*

Fittings — Beveled Bands

\*\*\* *(1) 24' Double Drive would consist of (2) 12' Leaves*

	OPENING	4' HIGH	5' HIGH	6' HIGH	7' HIGH	8' HIGH	10' HIGH
GC-6# -DD	6'	<b>311.04</b>	<b>333.98</b>	<b>405.09</b>	<b>428.41</b>	<b>467.89</b>	<b>525.64</b>
GC-7#-DD	7'	<b>320.53</b>	<b>344.50</b>	<b>413.90</b>	<b>441.08</b>	<b>481.60</b>	<b>541.37</b>
GC-8#-DD	8'	<b>330.02</b>	<b>354.97</b>	<b>433.58</b>	<b>458.91</b>	<b>500.40</b>	<b>563.98</b>
GC-10#-DD	10'	<b>357.15</b>	<b>384.10</b>	<b>510.90</b>	<b>538.24</b>	<b>565.49</b>	<b>667.37</b>
GC-12#-DD	12'	<b>376.15</b>	<b>405.12</b>	<b>539.39</b>	<b>568.74</b>	<b>646.83</b>	<b>752.72</b>
GC-14#-DD	14'	<b>417.76</b>	<b>448.77</b>	<b>596.82</b>	<b>644.43</b>	<b>740.84</b>	<b>867.05</b>
GC-16#-DD	16'	<b>507.29</b>	<b>545.75</b>	<b>706.79</b>	<b>778.18</b>	<b>833.22</b>	<b>925.57</b>
GC-18#-DD	18'	<b>518.14</b>	<b>550.51</b>	<b>759.70</b>	<b>808.72</b>	<b>865.75</b>	<b>943.29</b>
GC-20#-DD	20'	<b>537.14</b>	<b>571.51</b>	<b>796.32</b>	<b>871.57</b>	<b>930.82</b>	<b>1,019.45</b>
GC-22#-DD	22'	<b>549.47</b>	<b>594.01</b>	<b>826.31</b>	<b>903.73</b>	<b>981.09</b>	<b>1,073.76</b>
GC-24#-DD	24'	<b>583.25</b>	<b>629.78</b>	<b>853.30</b>	<b>932.75</b>	<b>1,028.38</b>	<b>1,302.07</b>

### FRAME ONLY

Pipe 1-5/8" WT-20.

	OPENING	4' HIGH	5' HIGH	6' HIGH	7' HIGH	8' HIGH	10' HIGH
GCF-6# -DD	6'	<b>200.69</b>	<b>211.26</b>	<b>276.61</b>	<b>287.20</b>	<b>314.06</b>	<b>335.22</b>
GCF-7#-DD	7'	<b>206.00</b>	<b>216.55</b>	<b>281.90</b>	<b>292.49</b>	<b>319.33</b>	<b>340.51</b>
GCF-8#-DD	8'	<b>211.26</b>	<b>221.84</b>	<b>292.49</b>	<b>319.33</b>	<b>329.92</b>	<b>359.42</b>
GCF-10#-DD	10'	<b>221.84</b>	<b>232.43</b>	<b>308.35</b>	<b>318.93</b>	<b>345.80</b>	<b>377.96</b>
GCF-12#-DD	12'	<b>232.43</b>	<b>259.29</b>	<b>324.23</b>	<b>351.09</b>	<b>361.68</b>	<b>452.02</b>
GCF-14#-DD	14'	<b>281.90</b>	<b>292.49</b>	<b>417.89</b>	<b>428.47</b>	<b>455.31</b>	<b>492.77</b>
GCF-16#-DD	16'	<b>329.92</b>	<b>345.80</b>	<b>432.94</b>	<b>465.11</b>	<b>529.79</b>	<b>561.55</b>
GCF-18#-DD	18'	<b>340.51</b>	<b>356.38</b>	<b>481.38</b>	<b>497.24</b>	<b>561.95</b>	<b>577.40</b>
GCF-20#-DD	20'	<b>367.37</b>	<b>383.25</b>	<b>497.24</b>	<b>545.68</b>	<b>577.84</b>	<b>658.41</b>
GCF-22#-DD	22'	<b>377.96</b>	<b>393.82</b>	<b>521.25</b>	<b>561.55</b>	<b>593.68</b>	<b>666.33</b>
GCF-24#-DD	24'	<b>388.51</b>	<b>404.40</b>	<b>528.99</b>	<b>577.40</b>	<b>609.56</b>	<b>673.86</b>

Replace "#" with correct height. Chose from (4, 5, 6, 7, 8, 10)

## COMMERCIAL DOUBLE DRIVE GATES—FABRICATED w/ BARBWIRE

Pipe — 1-5/8" WT-20

*Ordering Example*

Fabric — 9 Gauge Pre-Galvanized

\*\*\* *Order (1) 24' Double Drive*

Fittings — Beveled Bands

\*\*\* *(1) 24' Double Drive would consist of (2) 12' Leaves*

	OPENING	4' HIGH	5' HIGH	6' HIGH	7' HIGH	8' HIGH	10' HIGH
GC-6# -DD+1	6'	<b>360.01</b>	<b>383.33</b>	<b>454.06</b>	<b>477.39</b>	<b>516.87</b>	<b>585.91</b>
GC-7#-DD+1	7'	<b>370.16</b>	<b>394.69</b>	<b>458.26</b>	<b>490.71</b>	<b>531.26</b>	<b>591.02</b>
GC-8#-DD+1	8'	<b>380.35</b>	<b>405.86</b>	<b>483.91</b>	<b>509.24</b>	<b>550.73</b>	<b>614.32</b>
GC-10#-DD+1	10'	<b>408.84</b>	<b>436.51</b>	<b>562.59</b>	<b>589.93</b>	<b>617.18</b>	<b>719.05</b>
GC-12#-DD+1	12'	<b>429.18</b>	<b>459.06</b>	<b>592.44</b>	<b>621.77</b>	<b>689.29</b>	<b>805.77</b>
GC-14#-DD+1	14'	<b>472.15</b>	<b>504.25</b>	<b>651.22</b>	<b>698.84</b>	<b>795.23</b>	<b>921.45</b>
GC-16#-DD+1	16'	<b>563.77</b>	<b>603.50</b>	<b>763.27</b>	<b>834.68</b>	<b>889.71</b>	<b>982.04</b>
GC-18#-DD+1	18'	<b>594.06</b>	<b>636.03</b>	<b>770.49</b>	<b>892.78</b>	<b>949.80</b>	<b>1,027.35</b>
GC-20#-DD+1	20'	<b>609.94</b>	<b>654.07</b>	<b>877.27</b>	<b>951.80</b>	<b>1,011.75</b>	<b>1,100.39</b>
GC-22#-DD+1	22'	<b>630.28</b>	<b>676.62</b>	<b>907.12</b>	<b>984.52</b>	<b>1,061.90</b>	<b>1,154.55</b>
GC-24#-DD+1	24'	<b>666.92</b>	<b>715.43</b>	<b>936.96</b>	<b>1,016.41</b>	<b>1,112.03</b>	<b>1,385.72</b>

### **FRAME ONLY - For Barbwire**

Pipe 1-5/8" WT-20.

	OPENING	4' HIGH	5' HIGH	6' HIGH	7' HIGH	8' HIGH	10' HIGH
GCF-6# -DD+1	6'	<b>235.68</b>	<b>246.26</b>	<b>311.61</b>	<b>322.21</b>	<b>349.05</b>	<b>370.22</b>
GCF-7#-DD+1	7'	<b>240.97</b>	<b>251.55</b>	<b>316.92</b>	<b>327.47</b>	<b>354.34</b>	<b>375.51</b>
GCF-8#-DD+1	8'	<b>246.26</b>	<b>256.84</b>	<b>327.47</b>	<b>354.34</b>	<b>364.92</b>	<b>394.39</b>
GCF-10#-DD+1	10'	<b>256.84</b>	<b>267.44</b>	<b>343.35</b>	<b>353.93</b>	<b>380.80</b>	<b>412.94</b>
GCF-12#-DD+1	12'	<b>267.44</b>	<b>294.31</b>	<b>359.24</b>	<b>386.11</b>	<b>396.66</b>	<b>487.02</b>
GCF-14#-DD+1	14'	<b>316.92</b>	<b>327.47</b>	<b>452.89</b>	<b>463.46</b>	<b>490.32</b>	<b>527.77</b>
GCF-16#-DD+1	16'	<b>364.92</b>	<b>380.80</b>	<b>467.95</b>	<b>500.08</b>	<b>564.80</b>	<b>596.53</b>
GCF-18#-DD+1	18'	<b>400.25</b>	<b>416.11</b>	<b>541.10</b>	<b>556.98</b>	<b>572.85</b>	<b>637.15</b>
GCF-20#-DD+1	20'	<b>427.11</b>	<b>442.97</b>	<b>556.98</b>	<b>605.42</b>	<b>637.55</b>	<b>718.14</b>
GCF-22#-DD+1	22'	<b>437.68</b>	<b>453.56</b>	<b>572.85</b>	<b>621.26</b>	<b>653.44</b>	<b>766.56</b>
GCF-24#-DD+1	24'	<b>448.27</b>	<b>464.14</b>	<b>588.71</b>	<b>637.15</b>	<b>669.31</b>	<b>733.60</b>

(Barbwire and fittings are not included with Frame Only.)

**Replace "#"** with correct height. Chose from (4, 5, 6, 7, 8, 10)

## INDUSTRIAL SWING GATES — FABRICATED

Pipe — 2" WT-40

Fabric — 9 Gauge Pre-Galvanized

Fittings — Beveled Bands

	WIDTH	4' HIGH	5' HIGH	6' HIGH	7' HIGH	8' HIGH	10' HIGH
GI-3#	3'	<b>180.01</b>	<b>194.99</b>	<b>239.25</b>	<b>254.39</b>	<b>277.61</b>	<b>313.45</b>
GI-42#	3'6"	<b>186.51</b>	<b>201.98</b>	<b>242.73</b>	<b>262.46</b>	<b>286.02</b>	<b>323.06</b>
GI-4#	4'	<b>192.99</b>	<b>208.95</b>	<b>258.69</b>	<b>274.85</b>	<b>299.10</b>	<b>335.24</b>
GI-5#	5'	<b>210.04</b>	<b>227.01</b>	<b>302.58</b>	<b>319.75</b>	<b>336.85</b>	<b>394.74</b>
GI-6#	6'	<b>223.03</b>	<b>241.00</b>	<b>322.06</b>	<b>340.21</b>	<b>373.97</b>	<b>442.67</b>
GI-7#	7'	<b>247.31</b>	<b>266.31</b>	<b>356.01</b>	<b>383.28</b>	<b>434.98</b>	<b>505.04</b>
GI-8#	8'	<b>302.53</b>	<b>326.98</b>	<b>426.65</b>	<b>467.57</b>	<b>500.32</b>	<b>556.92</b>
GI-9#	9'	<b>307.36</b>	<b>332.85</b>	<b>421.71</b>	<b>488.05</b>	<b>521.79</b>	<b>567.53</b>
GI-10#	10'	<b>320.35</b>	<b>346.81</b>	<b>481.85</b>	<b>524.71</b>	<b>559.55</b>	<b>614.32</b>
GI-11#	11'	<b>334.14</b>	<b>361.62</b>	<b>502.14</b>	<b>546.07</b>	<b>589.99</b>	<b>646.77</b>
GI-12#	12'	<b>354.44</b>	<b>382.91</b>	<b>520.80</b>	<b>565.74</b>	<b>618.80</b>	<b>643.26</b>
GI-15#	15'	<b>443.70</b>	<b>475.40</b>	<b>571.97</b>	<b>620.10</b>	<b>649.91</b>	<b>745.39</b>

### FRAME ONLY

Pipe 2" WT-40.

	WIDTH	4' HIGH	5' HIGH	6' HIGH	7' HIGH	8' HIGH	10' HIGH
GIF-3#	3'	<b>124.71</b>	<b>133.49</b>	<b>174.87</b>	<b>183.64</b>	<b>200.55</b>	<b>218.09</b>
GIF-42#	3'6"	<b>129.11</b>	<b>137.89</b>	<b>179.26</b>	<b>188.02</b>	<b>204.95</b>	<b>222.49</b>
GIF-4#	4'	<b>133.49</b>	<b>142.25</b>	<b>188.02</b>	<b>204.95</b>	<b>213.71</b>	<b>232.82</b>
GIF-5#	5'	<b>142.25</b>	<b>151.03</b>	<b>201.19</b>	<b>209.96</b>	<b>226.87</b>	<b>248.16</b>
GIF-6#	6'	<b>151.03</b>	<b>167.96</b>	<b>214.34</b>	<b>231.27</b>	<b>240.03</b>	<b>309.57</b>
GIF-7#	7'	<b>179.26</b>	<b>188.02</b>	<b>266.39</b>	<b>275.17</b>	<b>292.08</b>	<b>317.76</b>
GIF-8#	8'	<b>213.71</b>	<b>226.87</b>	<b>289.59</b>	<b>310.88</b>	<b>348.46</b>	<b>374.78</b>
GIF-9#	9'	<b>222.49</b>	<b>235.63</b>	<b>319.03</b>	<b>332.18</b>	<b>345.35</b>	<b>387.95</b>
GIF-10#	10'	<b>239.40</b>	<b>252.56</b>	<b>332.18</b>	<b>361.62</b>	<b>382.91</b>	<b>433.66</b>
GIF-11#	11'	<b>231.88</b>	<b>245.06</b>	<b>353.49</b>	<b>374.78</b>	<b>396.09</b>	<b>463.09</b>
GIF-12#	12'	<b>256.94</b>	<b>270.10</b>	<b>358.50</b>	<b>387.95</b>	<b>409.25</b>	<b>492.53</b>
GIF-15#	15'	<b>316.05</b>	<b>329.20</b>	<b>390.38</b>	<b>411.68</b>	<b>410.59</b>	<b>497.97</b>

Replace ""#"" with correct height. Chose from (4, 5, 6, 7, 8, 10)

## INDUSTRIAL SWING GATES — FABRICATED w/BARBWIRE

Pipe — 2" WT-40

Fabric — 9 Gauge Pre-Galvanized

Fittings — Beveled Bands

	WIDTH	4' HIGH	5' HIGH	6' HIGH	7' HIGH	8' HIGH	10' HIGH
GI-3#+1	3'	<b>208.26</b>	<b>223.41</b>	<b>267.47</b>	<b>282.63</b>	<b>305.84</b>	<b>347.33</b>
GI-42#+1	3'6"	<b>215.08</b>	<b>230.82</b>	<b>271.32</b>	<b>291.03</b>	<b>314.78</b>	<b>351.62</b>
GI-4#+1	4'	<b>221.93</b>	<b>238.15</b>	<b>287.63</b>	<b>303.77</b>	<b>328.01</b>	<b>364.15</b>
GI-5#+1	5'	<b>239.64</b>	<b>256.97</b>	<b>332.18</b>	<b>349.36</b>	<b>366.44</b>	<b>424.35</b>
GI-6#+1	6'	<b>253.30</b>	<b>271.73</b>	<b>352.32</b>	<b>370.48</b>	<b>404.24</b>	<b>472.93</b>
GI-7#+1	7'	<b>278.26</b>	<b>297.79</b>	<b>386.95</b>	<b>414.25</b>	<b>465.92</b>	<b>535.99</b>
GI-8#+1	8'	<b>334.52</b>	<b>359.62</b>	<b>458.65</b>	<b>499.58</b>	<b>532.31</b>	<b>588.92</b>
GI-9#+1	9'	<b>354.96</b>	<b>381.16</b>	<b>469.29</b>	<b>535.65</b>	<b>569.38</b>	<b>615.13</b>
GI-10#+1	10'	<b>366.17</b>	<b>393.46</b>	<b>527.69</b>	<b>570.18</b>	<b>605.39</b>	<b>660.14</b>
GI-11#+1	11'	<b>379.82</b>	<b>408.23</b>	<b>547.83</b>	<b>591.77</b>	<b>635.68</b>	<b>692.45</b>
GI-12#+1	12'	<b>401.62</b>	<b>431.10</b>	<b>567.99</b>	<b>612.93</b>	<b>665.98</b>	<b>770.17</b>
GI-15#+1	15'	<b>482.52</b>	<b>514.22</b>	<b>610.79</b>	<b>658.92</b>	<b>688.73</b>	<b>784.21</b>

### **FRAME ONLY - For BARBWIRE**

Pipe 2" WT-40.

	WIDTH	4' HIGH	5' HIGH	6' HIGH	7' HIGH	8' HIGH	10' HIGH
GIF-3#+1	3'	<b>145.70</b>	<b>154.46</b>	<b>195.85</b>	<b>204.62</b>	<b>221.54</b>	<b>239.08</b>
GIF-42#+1	3'6"	<b>150.09</b>	<b>158.86</b>	<b>200.23</b>	<b>209.01</b>	<b>225.92</b>	<b>243.47</b>
GIF-4#+1	4'	<b>154.46</b>	<b>163.24</b>	<b>209.01</b>	<b>225.92</b>	<b>234.70</b>	<b>253.81</b>
GIF-5#+1	5'	<b>163.24</b>	<b>172.02</b>	<b>222.17</b>	<b>230.94</b>	<b>247.84</b>	<b>269.15</b>
GIF-6#+1	6'	<b>172.02</b>	<b>188.93</b>	<b>235.33</b>	<b>252.24</b>	<b>261.02</b>	<b>330.55</b>
GIF-7#+1	7'	<b>200.23</b>	<b>209.01</b>	<b>287.38</b>	<b>296.16</b>	<b>313.05</b>	<b>338.74</b>
GIF-8#+1	8'	<b>234.70</b>	<b>247.84</b>	<b>310.56</b>	<b>331.87</b>	<b>369.45</b>	<b>395.77</b>
GIF-9#+1	9'	<b>257.57</b>	<b>270.73</b>	<b>354.12</b>	<b>367.28</b>	<b>380.44</b>	<b>423.04</b>
GIF-10#+1	10'	<b>274.48</b>	<b>287.64</b>	<b>367.28</b>	<b>396.72</b>	<b>418.01</b>	<b>468.75</b>
GIF-11#+1	11'	<b>266.98</b>	<b>280.14</b>	<b>388.57</b>	<b>409.88</b>	<b>431.17</b>	<b>498.19</b>
GIF-12#+1	12'	<b>292.03</b>	<b>305.20</b>	<b>393.60</b>	<b>423.04</b>	<b>444.33</b>	<b>503.20</b>
GIF-15#+1	15'	<b>332.95</b>	<b>346.12</b>	<b>407.30</b>	<b>428.60</b>	<b>480.42</b>	<b>531.15</b>

(Barbwire and fittings are not included with Frame Only.)

Replace ""#"" with correct height. Chose from (4, 5, 6, 7, 8, 10)



## INDUSTRIAL DOUBLE DRIVE GATES—FABRICATED

Pipe — 2" WT-40

*Ordering Example*

Fabric — 9 Gauge Pre-Galvanized

\*\*\* Order (1) 24' Double Drive

Fittings — Beveled Bands

\*\*\* (1) 24' Double Drive would consist of (2) 12' Leaves

	OPENING	4' HIGH	5' HIGH	6' HIGH	7' HIGH	8' HIGH	10' HIGH
GI-6# -DD	6'	<b>360.02</b>	<b>389.98</b>	<b>478.48</b>	<b>508.77</b>	<b>555.23</b>	<b>626.88</b>
GI-7#-DD	7'	<b>373.02</b>	<b>403.94</b>	<b>485.48</b>	<b>524.93</b>	<b>572.04</b>	<b>646.11</b>
GI-8#-DD	8'	<b>385.99</b>	<b>417.91</b>	<b>517.40</b>	<b>549.70</b>	<b>598.18</b>	<b>670.47</b>
GI-10#-DD	10'	<b>420.10</b>	<b>454.01</b>	<b>605.18</b>	<b>639.49</b>	<b>673.69</b>	<b>789.49</b>
GI-12#-DD	12'	<b>446.05</b>	<b>481.99</b>	<b>644.11</b>	<b>680.43</b>	<b>747.94</b>	<b>885.33</b>
GI-14#-DD	14'	<b>494.62</b>	<b>532.62</b>	<b>712.00</b>	<b>766.56</b>	<b>869.96</b>	<b>1,010.09</b>
GI-16#-DD	16'	<b>605.04</b>	<b>653.95</b>	<b>853.30</b>	<b>935.14</b>	<b>1,000.64</b>	<b>1,113.85</b>
GI-18#-DD	18'	<b>614.73</b>	<b>665.69</b>	<b>843.40</b>	<b>976.11</b>	<b>1,043.60</b>	<b>1,135.08</b>
GI-20#-DD	20'	<b>640.68</b>	<b>693.62</b>	<b>963.72</b>	<b>1,049.43</b>	<b>1,119.12</b>	<b>1,228.63</b>
GI-22#-DD	22'	<b>668.28</b>	<b>723.25</b>	<b>1,004.28</b>	<b>1,092.14</b>	<b>1,179.98</b>	<b>1,293.53</b>
GI-24#-DD	24'	<b>708.86</b>	<b>765.84</b>	<b>1,041.60</b>	<b>1,131.48</b>	<b>1,237.59</b>	<b>1,286.52</b>
GI-30#-DD	30'	<b>887.40</b>	<b>950.80</b>	<b>1,143.94</b>	<b>1,240.20</b>	<b>1,299.82</b>	<b>1,490.78</b>

### FRAME ONLY

Pipe 2" WT-40.

	OPENING	4' HIGH	5' HIGH	6' HIGH	7' HIGH	8' HIGH	10' HIGH
GIF-6# -DD	6'	<b>249.42</b>	<b>266.98</b>	<b>349.73</b>	<b>367.26</b>	<b>401.10</b>	<b>436.18</b>
GIF-7#-DD	7'	<b>258.20</b>	<b>275.76</b>	<b>358.51</b>	<b>376.04</b>	<b>409.88</b>	<b>444.96</b>
GIF-8#-DD	8'	<b>266.98</b>	<b>284.51</b>	<b>376.04</b>	<b>409.88</b>	<b>427.41</b>	<b>465.64</b>
GIF-10#-DD	10'	<b>284.51</b>	<b>302.06</b>	<b>402.37</b>	<b>419.90</b>	<b>453.74</b>	<b>496.33</b>
GIF-12#-DD	12'	<b>302.06</b>	<b>335.90</b>	<b>428.68</b>	<b>462.52</b>	<b>480.05</b>	<b>619.14</b>
GIF-14#-DD	14'	<b>358.51</b>	<b>376.04</b>	<b>532.77</b>	<b>550.33</b>	<b>584.16</b>	<b>635.53</b>
GIF-16#-DD	16'	<b>427.41</b>	<b>453.74</b>	<b>579.19</b>	<b>621.77</b>	<b>696.92</b>	<b>749.56</b>
GIF-18#-DD	18'	<b>444.96</b>	<b>471.27</b>	<b>638.05</b>	<b>664.36</b>	<b>690.69</b>	<b>775.89</b>
GIF-20#-DD	20'	<b>478.80</b>	<b>505.11</b>	<b>664.36</b>	<b>723.25</b>	<b>765.84</b>	<b>867.31</b>
GIF-22#-DD	22'	<b>463.76</b>	<b>490.11</b>	<b>706.97</b>	<b>749.56</b>	<b>792.18</b>	<b>926.18</b>
GIF-24#-DD	24'	<b>513.88</b>	<b>540.19</b>	<b>717.00</b>	<b>775.89</b>	<b>818.48</b>	<b>985.08</b>
GIF-30#-DD	30'	<b>632.10</b>	<b>658.41</b>	<b>780.77</b>	<b>823.38</b>	<b>821.20</b>	<b>995.93</b>

Replace "#" with correct height. Chose from (4, 5, 6, 7, 8, 10)

## INDUSTRIAL DOUBLE DRIVE GATES—FABRICATED w/BARBWIRE

Pipe — 2" WT-40

*Ordering Example*

Fabric — 9 Gauge Pre-Galvanized

\*\*\* Order (1) 24' Double Drive

Fittings — Beveled Bands

\*\*\* (1) 24' Double Drive would consist of (2) 12' Leaves

	OPENING	4' HIGH	5' HIGH	6' HIGH	7' HIGH	8' HIGH	10' HIGH
GI-6# -DD+1	6'	<b>416.53</b>	<b>446.82</b>	<b>534.95</b>	<b>565.25</b>	<b>611.69</b>	<b>694.65</b>
GI-7#-DD+1	7'	<b>430.18</b>	<b>461.64</b>	<b>542.64</b>	<b>582.06</b>	<b>629.54</b>	<b>703.25</b>
GI-8#-DD+1	8'	<b>443.84</b>	<b>476.29</b>	<b>575.25</b>	<b>607.54</b>	<b>656.01</b>	<b>728.31</b>
GI-10#-DD+1	10'	<b>479.28</b>	<b>513.94</b>	<b>664.36</b>	<b>698.70</b>	<b>732.89</b>	<b>848.69</b>
GI-12#-DD+1	12'	<b>506.59</b>	<b>543.47</b>	<b>704.66</b>	<b>740.96</b>	<b>808.49</b>	<b>945.87</b>
GI-14#-DD+1	14'	<b>556.53</b>	<b>595.60</b>	<b>773.91</b>	<b>828.48</b>	<b>931.85</b>	<b>1,071.98</b>
GI-16#-DD+1	16'	<b>669.05</b>	<b>719.24</b>	<b>917.31</b>	<b>999.15</b>	<b>1,064.62</b>	<b>1,177.85</b>
GI-18#-DD+1	18'	<b>709.90</b>	<b>762.33</b>	<b>938.59</b>	<b>1,071.31</b>	<b>1,138.77</b>	<b>1,230.25</b>
GI-20#-DD+1	20'	<b>732.35</b>	<b>786.91</b>	<b>1,055.38</b>	<b>1,140.37</b>	<b>1,210.78</b>	<b>1,320.28</b>
GI-22#-DD+1	22'	<b>759.64</b>	<b>816.47</b>	<b>1,095.68</b>	<b>1,183.55</b>	<b>1,271.37</b>	<b>1,384.91</b>
GI-24#-DD+1	24'	<b>803.24</b>	<b>862.22</b>	<b>1,135.97</b>	<b>1,225.87</b>	<b>1,331.97</b>	<b>1,540.32</b>
GI-30#-DD+1	30'	<b>965.05</b>	<b>1,028.44</b>	<b>1,221.58</b>	<b>1,317.85</b>	<b>1,377.46</b>	<b>1,568.42</b>

### FRAME ONLY for Barbwire

Pipe 2" WT-40.

	OPENING	4' HIGH	5' HIGH	6' HIGH	7' HIGH	8' HIGH	10' HIGH
GIF-6# -DD+1	6'	<b>291.40</b>	<b>308.94</b>	<b>391.68</b>	<b>409.25</b>	<b>443.07</b>	<b>478.16</b>
GIF-7#-DD+1	7'	<b>300.19</b>	<b>317.72</b>	<b>400.46</b>	<b>418.01</b>	<b>451.82</b>	<b>486.93</b>
GIF-8#-DD+1	8'	<b>308.94</b>	<b>326.49</b>	<b>418.01</b>	<b>451.82</b>	<b>469.38</b>	<b>507.61</b>
GIF-10#-DD+1	10'	<b>326.49</b>	<b>344.05</b>	<b>444.33</b>	<b>461.89</b>	<b>495.68</b>	<b>538.30</b>
GIF-12#-DD+1	12'	<b>344.05</b>	<b>377.86</b>	<b>470.67</b>	<b>504.48</b>	<b>522.03</b>	<b>661.12</b>
GIF-14#-DD+1	14'	<b>400.46</b>	<b>418.01</b>	<b>574.74</b>	<b>592.30</b>	<b>626.11</b>	<b>677.47</b>
GIF-16#-DD+1	16'	<b>469.38</b>	<b>495.68</b>	<b>621.14</b>	<b>663.75</b>	<b>738.89</b>	<b>791.53</b>
GIF-18#-DD+1	18'	<b>515.13</b>	<b>541.46</b>	<b>708.23</b>	<b>734.55</b>	<b>760.87</b>	<b>846.06</b>
GIF-20#-DD+1	20'	<b>548.97</b>	<b>575.27</b>	<b>734.55</b>	<b>793.42</b>	<b>836.04</b>	<b>937.50</b>
GIF-22#-DD+1	22'	<b>533.97</b>	<b>560.28</b>	<b>777.14</b>	<b>819.76</b>	<b>862.34</b>	<b>996.38</b>
GIF-24#-DD+1	24'	<b>584.05</b>	<b>610.39</b>	<b>787.21</b>	<b>846.06</b>	<b>888.65</b>	<b>1,006.40</b>
GIF-30#-DD+1	30'	<b>665.91</b>	<b>692.24</b>	<b>814.60</b>	<b>857.19</b>	<b>960.85</b>	<b>1,062.29</b>

(Barbwire and fittings are not included with Frame Only.)

Replace "#" with correct height. Chose from (4, 5, 6, 7, 8, 10)

## FEDERAL GATE POST SPECIFICATIONS

GATE WIDTH	PIPE SIZE
To 6'	3"
To 13'	4"
To 18'	6-5/8"

## CANTILEVER GATES

Our steel cantilever gates have a top and bottom rail of 2-1/2" SS-40, a vertical bracing of 2" SS20, and a diagonal bracing of 1-5/8" SS20. We can, of course, build gates for any opening size.

Standard counterbalance is 50% of the opening size of the gate.

Custom counterbalances are available, please inquire.

OPENING	5' HIGH	6' HIGH	7' HIGH	8' HIGH
GCANT-10#	583.07	688.88	740.39	758.93
GCANT-12#	772.90	816.16	819.67	860.36
GCANT-14#	884.39	896.94	1,005.62	1,006.89
GCANT-15#	923.58	942.82	1,068.38	1,073.49
GCANT-16#	1,028.08	1,103.23	1,142.15	1,208.98
GCANT-18#	1,050.46	1,198.53	1,245.71	1,340.25
GCANT-20#	1,241.10	1,256.75	1,302.11	1,378.33
GCANT-21#	1,321.88	1,340.25	1,362.48	1,425.62
GCANT-24#	1,401.78	1,472.97	1,467.51	1,585.28
GCANT-25#	1,446.86	1,511.31	1,540.31	1,693.16
GCANT-28#	1,731.79	1,743.66	1,723.18	1,814.51
GCANT-30#	1,754.66	1,832.59	1,909.08	2,018.30

\*Gates over 40' in length will require a special delivery at an additional cost.

*We strongly recommend the use of a cantilever cover to protect hands and a safety post for regular cantilever gates to prevent the gate from falling off the rollers.*

**For Cantilever Hardware see Gate Fittings Section**

Replace "#" with correct height. Chose from (5, 6, 7, 8)

## CANTILEVER GATES w/Barbwire

Our steel cantilever gates have a top and bottom rail of 2-1/2" SS-40, a vertical bracing of 2" SS20, and a diagonal bracing of 1-5/8" SS20. We can, of course, build gates for any opening size.

Standard counterbalance is 50% of the opening size of the gate.

Custom counterbalances are available, please inquire.

OPENING	5' HIGH	6' HIGH	7' HIGH	8' HIGH
GCANT-10#+1	<b>688.37</b>	<b>712.82</b>	<b>764.34</b>	<b>782.88</b>
GCANT-12#+1	<b>812.31</b>	<b>871.88</b>	<b>859.08</b>	<b>899.77</b>
GCANT-14#+1	<b>924.42</b>	<b>936.96</b>	<b>1,045.65</b>	<b>1,046.91</b>
GCANT-15#+1	<b>964.28</b>	<b>983.51</b>	<b>1,109.08</b>	<b>1,114.19</b>
GCANT-16#+1	<b>1,069.46</b>	<b>1,171.38</b>	<b>1,183.53</b>	<b>1,254.37</b>
GCANT-18#+1	<b>1,093.19</b>	<b>1,241.27</b>	<b>1,288.43</b>	<b>1,382.99</b>
GCANT-20#+1	<b>1,304.32</b>	<b>1,316.55</b>	<b>1,362.06</b>	<b>1,450.85</b>
GCANT-21#+1	<b>1,390.97</b>	<b>1,409.35</b>	<b>1,431.57</b>	<b>1,546.23</b>
GCANT-24#+1	<b>1,472.91</b>	<b>1,491.67</b>	<b>1,538.64</b>	<b>1,651.12</b>
GCANT-25#+1	<b>1,518.68</b>	<b>1,583.12</b>	<b>1,612.11</b>	<b>1,764.97</b>
GCANT-28#+1	<b>1,805.64</b>	<b>1,826.12</b>	<b>1,797.01</b>	<b>1,888.36</b>
GCANT-30#+1	<b>1,829.86</b>	<b>1,922.27</b>	<b>1,984.28</b>	<b>2,093.50</b>

\*Gates over 40' in length will require a special delivery at an additional cost.

*We strongly recommend the use of a cantilever cover to protect hands and a safety post for regular cantilever gates to prevent the gate from falling off the rollers.*

**For Cantilever Hardware see Gate Fittings Section**

Replace "#" with correct height. Chose from (5, 6, 7, 8)

# ALUMINUM SLIDE GATES

Interchangeable for left or right opening with fabric spanning entire opening to meet ASTM F2200 for automated gates. Constructed with 6061-T6 alloy.  
Meets ASTM F-1184, Type II, Class 2 specifications. See separate Specification Sheet for additional details.

OPENING RANGE		5' HIGH	6' HIGH	7' HIGH	8' HIGH	Overall Length
15' - 18'	ASG-18#	<b>1,571.18</b>	<b>1,604.04</b>	<b>1,664.95</b>	<b>1,727.32</b>	26' 3"
19' - 22'	ASG-22#	<b>1,868.57</b>	<b>1,905.96</b>	<b>1,980.22</b>	<b>2,051.95</b>	31' 3"
23' - 26'	ASG-26#	<b>2,786.87</b>	<b>2,817.40</b>	<b>2,938.53</b>	<b>2,986.00</b>	37' 3"
27' - 30'	ASG-30#	<b>3,219.75</b>	<b>3,253.38</b>	<b>3,384.11</b>	<b>3,478.19</b>	42' 3"

**\*Must Order Hardware Kits Separately which are NEEDED for Gate Operation**

## Hardware Kits - Includes: Trolleys, Guides, Stops, and Latch

ASG-HWO4	Single Gate - Manually or Electrically Operated	<b>\$642.73</b>
ASG-HWL4	Single Gate - Manually Operated with Keyed Access	<b>\$870.60</b>
ASG-HWO4-DD	Double Drive Gate - Manually or Electrically Operated	<b>\$1,115.27</b>

## Barbwire Kits

ASG-BW18	Barbwire Wire Kit for 15'-18'	<b>\$90.66</b>
ASG-BW22	Barbwire Wire Kit for 19'-22'	<b>\$103.04</b>
ASG-BW26	Barbwire Wire Kit for 23'-26'	<b>\$116.06</b>
ASG-BW30	Barbwire Wire Kit for 27'-30'	<b>\$128.46</b>

## Aluminum Slide Gate Post Spacing

Gate Opening Range	OPENING	GATE POSTS (G)	TOTAL GATE LENGTH (L)
	I/S POST FACE TO I/S POST FACE	O/S POST FACE TO O/S POST FACE	O/S DIM OF GATE LEAF
15' - 18'	15'	11'-0"	26' 3"
	16'	10'-0"	26' 3"
	17'	9'-0"	26' 3"
	18'	8'-0"	26' 3"
19' - 22'	19'	12'-0"	31' 3"
	20'	11'-0"	31' 3"
	21'	10'-0"	31' 3"
	22'	9'-0"	31' 3"
23' - 26'	23'	14'-0"	37' 3"
	24'	13'-0"	37' 3"
	25'	12'-0"	37' 3"
	26'	11'-0"	37' 3"
27' - 30'	27'	15'-0"	42' 3"
	28'	14'-0"	42' 3"
	29'	13'-0"	42' 3"
	30'	12'-0"	42' 3"

Replace ""#" with correct height. Chose from (5, 6, 7, 8)

## VINYL RESIDENTIAL GATES - FABRICATED

Gates are welded with 1-3/8" Lifecoat. Fabricated gates have 9 gauge vinyl fabric and vinyl fittings.  
Six foot high gates have horizontal braces.  
When ordering gates, tell us the opening size. We will make the allowance for the hinges and latch.

### SINGLE GATES

	OPENING	3' HIGH	3' 6" HIGH	4' HIGH	5' HIGH	6' HIGH
GRv-3#	3'	<b>115.74</b>	<b>118.27</b>	<b>124.12</b>	<b>133.91</b>	<b>160.64</b>
GRv-42#	3'6"	<b>116.97</b>	<b>123.59</b>	<b>126.99</b>	<b>137.09</b>	<b>165.00</b>
GRv-4#	4'	<b>120.90</b>	<b>123.75</b>	<b>129.88</b>	<b>140.27</b>	<b>169.26</b>
GRv-5#	5'	<b>126.06</b>	<b>129.21</b>	<b>137.49</b>	<b>146.61</b>	<b>177.88</b>
GRv-6#	6'	<b>131.22</b>	<b>134.68</b>	<b>140.04</b>	<b>152.96</b>	<b>186.52</b>

### DOUBLE DRIVE

	OPENING	3' HIGH	3'6" HIGH	4' HIGH	5' HIGH	6' HIGH
GRv-6#-DD	6'	<b>231.48</b>	<b>236.56</b>	<b>248.26</b>	<b>267.81</b>	<b>321.27</b>
GRv-7#-DD	7"	<b>233.94</b>	<b>247.20</b>	<b>253.97</b>	<b>274.16</b>	<b>329.99</b>
GRv-8#-DD	8'	<b>241.79</b>	<b>247.49</b>	<b>259.76</b>	<b>280.52</b>	<b>338.51</b>
GRv-10#-DD	10'	<b>252.11</b>	<b>258.41</b>	<b>274.99</b>	<b>293.22</b>	<b>355.77</b>
GRv-12#-DD	12'	<b>262.43</b>	<b>269.35</b>	<b>280.07</b>	<b>305.93</b>	<b>373.04</b>

## VINYL COMMERCIAL SWING GATES - FABRICATED

Pipe — 1-5/8" WT-20 Vinyl

Fabric — 9 Gauge Vinyl

Fittings — Heavy Vinyl Coated

	OPENING	4' HIGH	5' HIGH	6' HIGH	7' HIGH	8' HIGH
GCv-3#	3'	<b>219.38</b>	<b>235.14</b>	<b>291.28</b>	<b>324.10</b>	<b>347.03</b>
GCv-42#	3'6"	<b>224.29</b>	<b>240.44</b>	<b>296.87</b>	<b>354.65</b>	<b>374.33</b>
GCv-4#	4'	<b>229.22</b>	<b>245.73</b>	<b>306.04</b>	<b>364.03</b>	<b>384.51</b>
GCv-5#	5'	<b>239.05</b>	<b>252.24</b>	<b>337.09</b>	<b>379.53</b>	<b>393.48</b>
GCv-6#	6'	<b>248.89</b>	<b>266.90</b>	<b>351.85</b>	<b>395.04</b>	<b>407.97</b>
GCv-7#	7'	<b>281.33</b>	<b>300.08</b>	<b>411.85</b>	<b>472.05</b>	<b>533.53</b>
GCv-8#	8'	<b>304.82</b>	<b>327.75</b>	<b>447.13</b>	<b>511.53</b>	<b>582.57</b>
GCv-9#	9'	<b>335.02</b>	<b>358.69</b>	<b>461.90</b>	<b>527.04</b>	<b>599.69</b>
GCv-10#	10'	<b>344.85</b>	<b>369.26</b>	<b>558.05</b>	<b>623.94</b>	<b>698.19</b>
GCv-11#	11'	<b>357.24</b>	<b>382.40</b>	<b>575.39</b>	<b>642.01</b>	<b>717.86</b>
GCv-12#	12'	<b>364.52</b>	<b>390.43</b>	<b>587.59</b>	<b>671.24</b>	<b>732.44</b>

Replace "v" in part number with correct color code - Black (B), Brown (BR), Green (G)

Replace "#" with correct height. Chose from (3,4, 4, 5, 6, 7, 8)

## VINYL COMMERCIAL SWING GATES — FABRICATED w/BARBWIRE

	OPENING	4' HIGH	5' HIGH	6' HIGH	7' HIGH	8' HIGH
GCv-3#+1	3'	<b>255.47</b>	<b>271.42</b>	<b>327.36</b>	<b>360.18</b>	<b>383.14</b>
GCv-42#+1	3'6"	<b>260.69</b>	<b>277.10</b>	<b>333.27</b>	<b>391.05</b>	<b>410.73</b>
GCv-4#+1	4'	<b>265.92</b>	<b>282.69</b>	<b>342.75</b>	<b>400.72</b>	<b>421.20</b>
GCv-5#+1	5'	<b>276.36</b>	<b>314.31</b>	<b>374.39</b>	<b>416.84</b>	<b>443.00</b>
GCv-6#+1	6'	<b>286.83</b>	<b>329.70</b>	<b>389.80</b>	<b>437.05</b>	<b>449.97</b>
GCv-7#+1	7'	<b>319.87</b>	<b>339.15</b>	<b>450.37</b>	<b>510.58</b>	<b>572.05</b>
GCv-8#+1	8'	<b>344.34</b>	<b>367.91</b>	<b>486.65</b>	<b>551.04</b>	<b>622.09</b>
GCv-9#+1	9'	<b>396.40</b>	<b>420.80</b>	<b>523.29</b>	<b>588.43</b>	<b>661.08</b>
GCv-10#+1	10'	<b>404.31</b>	<b>429.55</b>	<b>617.51</b>	<b>683.41</b>	<b>757.67</b>
GCv-11#+1	11'	<b>417.28</b>	<b>443.35</b>	<b>635.43</b>	<b>702.07</b>	<b>777.92</b>
GCv-12#+1	12'	<b>427.76</b>	<b>454.66</b>	<b>650.83</b>	<b>738.56</b>	<b>795.68</b>

## VINYL COMMERCIAL DOUBLE DRIVE GATES—FABRICATED

### Ordering Example

\*\*\* Order (1) 24' Double Drive

\*\*\* (1) 24' Double Drive would consist of (2) 12' Leaves

	OPENING	4' HIGH	5' HIGH	6' HIGH	7' HIGH	8' HIGH
GCv-6# -DD	6'	<b>438.76</b>	<b>470.29</b>	<b>582.57</b>	<b>648.19</b>	<b>694.08</b>
GCv-7#-DD	7'	<b>448.59</b>	<b>480.87</b>	<b>593.74</b>	<b>709.28</b>	<b>748.66</b>
GCv-8#-DD	8'	<b>458.44</b>	<b>491.46</b>	<b>612.09</b>	<b>728.04</b>	<b>769.01</b>
GCv-10#-DD	10'	<b>478.11</b>	<b>504.48</b>	<b>674.17</b>	<b>759.05</b>	<b>786.97</b>
GCv-12#-DD	12'	<b>497.80</b>	<b>533.78</b>	<b>703.70</b>	<b>790.08</b>	<b>815.95</b>
GCv-14#-DD	14'	<b>562.67</b>	<b>600.15</b>	<b>823.69</b>	<b>944.12</b>	<b>1,067.05</b>
GCv-16#-DD	16'	<b>609.64</b>	<b>655.51</b>	<b>894.26</b>	<b>1,023.06</b>	<b>1,165.14</b>
GCv-18#-DD	18'	<b>670.03</b>	<b>717.37</b>	<b>923.79</b>	<b>1,054.07</b>	<b>1,199.37</b>
GCv-20#-DD	20'	<b>689.68</b>	<b>738.53</b>	<b>1,116.11</b>	<b>1,247.89</b>	<b>1,396.39</b>
GCv-22#-DD	22'	<b>714.48</b>	<b>764.81</b>	<b>1,150.77</b>	<b>1,284.04</b>	<b>1,435.73</b>
GCv-24#-DD	24'	<b>729.02</b>	<b>780.86</b>	<b>1,175.19</b>	<b>1,342.50</b>	<b>1,464.86</b>

Replace "v" in part number with correct color code - Black (B), Brown (BR), Green (G)

Replace "#" with correct height. Chose from (4, 5, 6, 7, 8)

## VINYL COMMERCIAL DOUBLE DRIVE GATES—FABRICATED w/ BARBWIRE

Pipe — 1-5/8" WT-20 Vinyl

*Ordering Example*

Fabric — 9 Gauge Vinyl

\*\*\* Order (1) 24' Double Drive

Fittings — Heavy Vinyl Coated

\*\*\* (1) 24' Double Drive would consist of (2) 12' Leaves

	OPENING	4' HIGH	5' HIGH	6' HIGH	7' HIGH	8' HIGH
GCv-6# -DD+1	6'	<b>510.93</b>	<b>542.82</b>	<b>654.74</b>	<b>720.36</b>	<b>766.26</b>
GCv-7#-DD+1	7'	<b>521.39</b>	<b>554.20</b>	<b>666.54</b>	<b>782.10</b>	<b>821.46</b>
GCv-8#-DD+1	8'	<b>531.85</b>	<b>565.38</b>	<b>685.48</b>	<b>801.43</b>	<b>842.39</b>
GCv-10#-DD+1	10'	<b>552.72</b>	<b>628.64</b>	<b>748.79</b>	<b>833.67</b>	<b>885.99</b>
GCv-12#-DD+1	12'	<b>573.65</b>	<b>659.39</b>	<b>779.59</b>	<b>874.10</b>	<b>899.96</b>
GCv-14#-DD+1	14'	<b>639.73</b>	<b>678.30</b>	<b>900.73</b>	<b>1,021.15</b>	<b>1,144.12</b>
GCv-16#-DD+1	16'	<b>688.70</b>	<b>735.81</b>	<b>973.32</b>	<b>1,102.09</b>	<b>1,244.19</b>
GCv-18#-DD+1	18'	<b>792.79</b>	<b>841.60</b>	<b>1,046.58</b>	<b>1,176.87</b>	<b>1,322.16</b>
GCv-20#-DD+1	20'	<b>808.61</b>	<b>859.10</b>	<b>1,235.04</b>	<b>1,366.82</b>	<b>1,515.32</b>
GCv-22#-DD+1	22'	<b>834.57</b>	<b>886.70</b>	<b>1,270.86</b>	<b>1,404.13</b>	<b>1,555.83</b>
GCv-24#-DD+1	24'	<b>855.51</b>	<b>909.33</b>	<b>1,301.66</b>	<b>1,477.13</b>	<b>1,591.35</b>

## VINYL INDUSTRIAL SWING GATES — FABRICATED

Pipe — 2" WT-40 Vinyl

Fabric — 9 Gauge Vinyl

Fittings — Heavy Vinyl Coated

	WIDTH	4' HIGH	5' HIGH	6' HIGH	7' HIGH	8' HIGH
GIv-3#	3'	<b>256.42</b>	<b>277.42</b>	<b>346.68</b>	<b>384.73</b>	<b>412.93</b>
GIv-42#	3'6"	<b>263.96</b>	<b>285.33</b>	<b>355.07</b>	<b>417.90</b>	<b>442.83</b>
GIv-4#	4'	<b>271.50</b>	<b>293.26</b>	<b>369.32</b>	<b>432.53</b>	<b>458.26</b>
GIv-5#	5'	<b>286.59</b>	<b>317.21</b>	<b>408.23</b>	<b>455.91</b>	<b>462.90</b>
GIv-6#	6'	<b>301.66</b>	<b>324.91</b>	<b>430.85</b>	<b>458.95</b>	<b>496.29</b>
GIv-7#	7'	<b>339.35</b>	<b>363.34</b>	<b>498.71</b>	<b>564.16</b>	<b>630.88</b>
GIv-8#	8'	<b>378.59</b>	<b>409.37</b>	<b>557.61</b>	<b>629.87</b>	<b>708.78</b>
GIv-9#	9'	<b>414.02</b>	<b>445.55</b>	<b>580.24</b>	<b>653.24</b>	<b>733.77</b>
GIv-10#	10'	<b>429.10</b>	<b>461.37</b>	<b>684.28</b>	<b>758.02</b>	<b>840.15</b>
GIv-11#	11'	<b>446.89</b>	<b>479.92</b>	<b>709.62</b>	<b>784.11</b>	<b>867.83</b>
GIv-12#	12'	<b>461.96</b>	<b>495.74</b>	<b>732.24</b>	<b>787.15</b>	<b>892.82</b>

Replace "v" in part number with correct color code - Black (B), Brown (BR), Green (G)

Replace "#" with correct height. Chose from (4, 5, 6, 7, 8)



## VINYL INDUSTRIAL SWING GATES — FABRICATED w/BARBWIRE

Pipe — 2" WT-40 Vinyl

Fabric — 9 Gauge Vinyl

Fittings — Heavy Vinyl Coated

	WIDTH	4' HIGH	5' HIGH	6' HIGH	7' HIGH	8' HIGH
GIV-3#+1	3'	<b>298.42</b>	<b>319.61</b>	<b>388.70</b>	<b>426.75</b>	<b>454.94</b>
GIV-42#+1	3'6"	<b>306.28</b>	<b>327.94</b>	<b>397.39</b>	<b>460.24</b>	<b>485.17</b>
GIV-4#+1	4'	<b>314.12</b>	<b>336.14</b>	<b>411.92</b>	<b>475.16</b>	<b>500.88</b>
GIV-5#+1	5'	<b>329.81</b>	<b>356.75</b>	<b>451.46</b>	<b>499.14</b>	<b>506.13</b>
GIV-6#+1	6'	<b>345.52</b>	<b>369.22</b>	<b>474.71</b>	<b>502.81</b>	<b>540.15</b>
GIV-7#+1	7'	<b>383.81</b>	<b>408.34</b>	<b>543.16</b>	<b>608.62</b>	<b>675.33</b>
GIV-8#+1	8'	<b>424.03</b>	<b>455.46</b>	<b>603.05</b>	<b>675.32</b>	<b>754.24</b>
GIV-9#+1	9'	<b>484.11</b>	<b>516.38</b>	<b>650.33</b>	<b>723.34</b>	<b>803.85</b>
GIV-10#+1	10'	<b>497.10</b>	<b>530.21</b>	<b>752.28</b>	<b>826.04</b>	<b>908.15</b>
GIV-11#+1	11'	<b>515.48</b>	<b>549.42</b>	<b>778.20</b>	<b>852.71</b>	<b>936.45</b>
GIV-12#+1	12'	<b>531.20</b>	<b>565.96</b>	<b>801.49</b>	<b>856.38</b>	<b>962.05</b>

## VINYL INDUSTRIAL DOUBLE DRIVE GATES—FABRICATED

*Ordering Example*

\*\*\* Order (1) 24' Double Drive

\*\*\* (1) 24' Double Drive would consist of (2) 12' Leaves

	OPENING	4' HIGH	5' HIGH	6' HIGH	7' HIGH	8' HIGH
GIV-6# -DD	6'	<b>512.85</b>	<b>554.85</b>	<b>693.35</b>	<b>769.45</b>	<b>825.85</b>
GIV-7#-DD	7'	<b>527.90</b>	<b>570.68</b>	<b>710.14</b>	<b>835.80</b>	<b>885.67</b>
GIV-8#-DD	8'	<b>543.02</b>	<b>586.50</b>	<b>738.63</b>	<b>865.06</b>	<b>916.52</b>
GIV-10#-DD	10'	<b>573.17</b>	<b>634.44</b>	<b>816.47</b>	<b>911.82</b>	<b>925.79</b>
GIV-12#-DD	12'	<b>603.32</b>	<b>649.81</b>	<b>861.70</b>	<b>917.88</b>	<b>992.57</b>
GIV-14#-DD	14'	<b>678.69</b>	<b>726.68</b>	<b>997.42</b>	<b>1,128.32</b>	<b>1,261.76</b>
GIV-16#-DD	16'	<b>757.16</b>	<b>818.75</b>	<b>1,115.21</b>	<b>1,259.75</b>	<b>1,417.57</b>
GIV-18#-DD	18'	<b>828.03</b>	<b>891.10</b>	<b>1,160.47</b>	<b>1,306.48</b>	<b>1,467.52</b>
GIV-20#-DD	20'	<b>858.20</b>	<b>922.75</b>	<b>1,368.54</b>	<b>1,516.05</b>	<b>1,680.29</b>
GIV-22#-DD	22'	<b>893.79</b>	<b>959.84</b>	<b>1,419.24</b>	<b>1,568.22</b>	<b>1,735.68</b>
GIV-24#-DD	24'	<b>923.93</b>	<b>991.49</b>	<b>1,464.48</b>	<b>1,574.30</b>	<b>1,785.66</b>

Replace "v" in part number with correct color code - Black (B), Brown (BR), Green (G)

Replace "#" with correct height. Chose from (4, 5, 6, 7, 8)

## VINYL INDUSTRIAL DOUBLE DRIVE GATES—FABRICATED w/Barbwire

Pipe — 2" WT-40 Vinyl

*Ordering Example*

Fabric — 9 Gauge Vinyl

\*\*\* Order (1) 24' Double Drive

Fittings — Heavy Vinyl Coated

\*\*\* (1) 24' Double Drive would consist of (2) 12' Leaves

	OPENING	4' HIGH	5' HIGH	6' HIGH	7' HIGH	8' HIGH
GIV-6# -DD+1	6'	<b>596.85</b>	<b>639.23</b>	<b>777.39</b>	<b>853.48</b>	<b>909.87</b>
GIV-7#-DD+1	7'	<b>612.54</b>	<b>655.87</b>	<b>794.78</b>	<b>920.47</b>	<b>970.34</b>
GIV-8#-DD+1	8'	<b>628.24</b>	<b>672.29</b>	<b>823.86</b>	<b>950.31</b>	<b>1,001.76</b>
GIV-10#-DD+1	10'	<b>659.62</b>	<b>713.50</b>	<b>902.92</b>	<b>998.27</b>	<b>1,012.26</b>
GIV-12#-DD+1	12'	<b>691.04</b>	<b>738.44</b>	<b>949.44</b>	<b>1,005.62</b>	<b>1,080.31</b>
GIV-14#-DD+1	14'	<b>767.62</b>	<b>816.68</b>	<b>1,086.32</b>	<b>1,217.24</b>	<b>1,350.66</b>
GIV-16#-DD+1	16'	<b>848.06</b>	<b>910.92</b>	<b>1,206.10</b>	<b>1,350.64</b>	<b>1,508.46</b>
GIV-18#-DD+1	18'	<b>968.21</b>	<b>1,032.75</b>	<b>1,300.66</b>	<b>1,446.66</b>	<b>1,607.70</b>
GIV-20#-DD+1	20'	<b>994.20</b>	<b>1,060.42</b>	<b>1,504.55</b>	<b>1,652.07</b>	<b>1,816.30</b>
GIV-22#-DD+1	22'	#####	<b>1,098.85</b>	<b>1,556.42</b>	<b>1,705.44</b>	<b>1,872.88</b>
GIV-24#-DD+1	24'	#####	<b>1,131.94</b>	<b>1,602.97</b>	<b>1,712.75</b>	<b>1,924.10</b>

## FEDERAL GATE POST SPECIFICATIONS

GATE WIDTH	PIPE SIZE
To 6'	3"
To 13'	4"
To 18'	6-5/8"

## BARRIER GATES

Our barrier gates have a top and bottom rail of 2" SS40 and vertical bracing of 1-5/8" SS20.  
We can, of course, build barrier gates for any opening size.

BG-104	4' x 10' Opening	\$215.36
BG-124	4' x 12' Opening	\$245.20
BG-144	4' x 14' Opening	\$294.03
BG-164	4' x 16' Opening	\$323.86
BG-184	4' x 18' Opening	\$372.69
BG-204	4' x 20' Opening	\$402.54

## DOG KENNEL PANELS

"Clamp together" enclosure for kennel runs and portable pens with all hardware included. For a gate in any panel add item KP-2#. Panels 10' and over are braced. Frame is 1-3/8" 065 with 2-1/4 x 11-1/2 gauge pre-galvanized fabric.

### DOG KENNEL PANELS — FABRICATED

	LENGTH OF PANEL	4' HIGH	5' HIGH	6' HIGH
KP-4#	4'	<b>88.49</b>	<b>95.10</b>	<b>101.64</b>
KP-5#	5'	<b>93.23</b>	<b>100.41</b>	<b>107.48</b>
KP-6#	6'	<b>97.97</b>	<b>105.69</b>	<b>113.32</b>
KP-8#	8'	<b>113.88</b>	<b>122.68</b>	<b>131.42</b>
KP-10#	10'	<b>134.72</b>	<b>139.22</b>	<b>156.84</b>
KP-12#	12'	<b>144.19</b>	<b>156.39</b>	<b>168.52</b>
KP-15#	15'	<b>164.81</b>	<b>178.67</b>	<b>192.46</b>
KP-20#	20'	<b>205.56</b>	<b>224.56</b>	<b>241.11</b>
KP-2#	2' Gate built into Panel	<b>83.94</b>	<b>90.65</b>	<b>97.27</b>

### DOG KENNEL PANELS — FRAME ONLY

	LENGTH OF PANEL	4' HIGH	5' HIGH	6' HIGH
KPF-4#	4'	<b>58.37</b>	<b>60.76</b>	<b>63.14</b>
KPF-5#	5'	<b>60.76</b>	<b>63.14</b>	<b>65.53</b>
KPF-6#	6'	<b>63.14</b>	<b>65.53</b>	<b>67.91</b>
KPF-8#	8'	<b>81.13</b>	<b>83.51</b>	<b>85.89</b>
KPF-10#	10'	<b>103.70</b>	<b>100.67</b>	<b>110.85</b>
KPF-12#	12'	<b>108.47</b>	<b>112.06</b>	<b>115.63</b>
KPF-15#	15'	<b>115.63</b>	<b>119.21</b>	<b>122.78</b>
KPF-20#	20'	<b>151.05</b>	<b>153.44</b>	<b>160.59</b>
KPF-2#	2'	<b>78.01</b>	<b>81.58</b>	<b>85.16</b>

### DOG KENNELS — COMPLETE

	HEIGHT	SIZE	COST
KC610-5	5'	<b>6' x 10'</b>	<b>580.47</b>
KC612-5	5'	<b>6' x 12'</b>	<b>614.81</b>
KC620-5	5'	<b>6' x 20'</b>	<b>751.15</b>
KC810-5	5'	<b>8' x 10'</b>	<b>614.45</b>
KC820-5	5'	<b>8' x 20'</b>	<b>785.13</b>
KC1010-5	5'	<b>10' x 10'</b>	<b>647.53</b>
KC610-6	6'	<b>6' x 10'</b>	<b>637.59</b>
KC612-6	6'	<b>6' x 12'</b>	<b>660.95</b>
KC620-6	6'	<b>6' x 20'</b>	<b>806.13</b>
KC810-6	6'	<b>8' x 10'</b>	<b>673.79</b>
KC820-6	6'	<b>8' x 20'</b>	<b>842.33</b>
KC1010-6	6'	<b>10' x 10'</b>	<b>724.63</b>

# PANIC BAR and GATE

## Panic Bar Kit (PB-K)

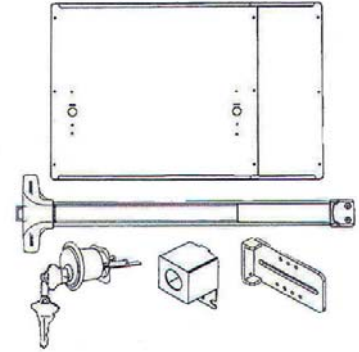
**495.00**

Adjustable Back Plate (24" x 32" - 54") (PB-MPA)

36" Panic Bar (PB-DAC)

Key Lock and Lock Box (PB-LB)

Adjustable Receiver Bracket (PB-LR)



## Panic Bar Kit — Installed on Gate

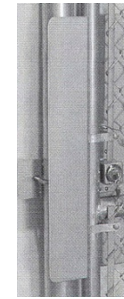
**590.00**

Add to Price of Gate

## Gate Latch Protector (PB-LP)

**45.00**

For added security where gap is greater than 1".



## Stainless Steel Panic Bar (PB-SS)

**435.90**

## PreHung Panic Bar Gate

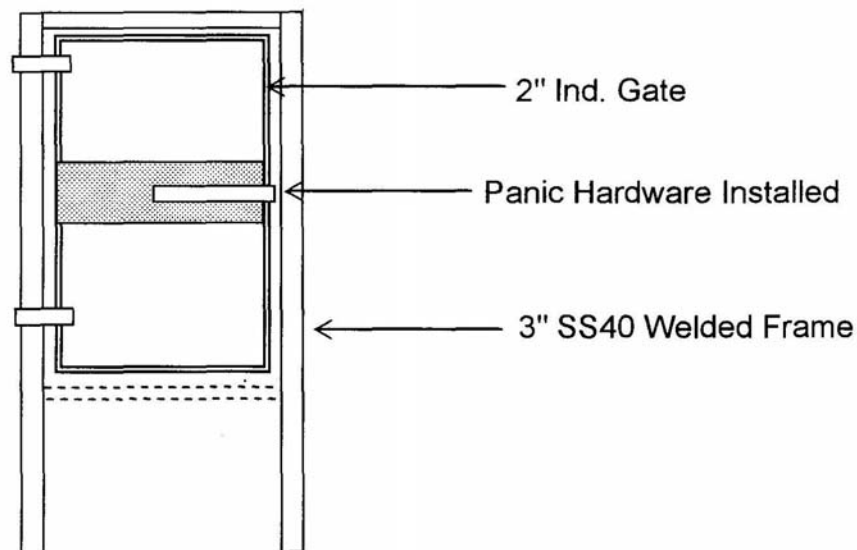
**1395.00**

Complete Panic Hardware Installed

Gate is ready for installation.

Price here is for a standard 4' x 7' or 4' x 6+1 gate inside welded frame.

Square panic bar gate is also available. Call for pricing.



## Other Options:

3" or 4" Square Welded Frame

2" Square Gate Frame